



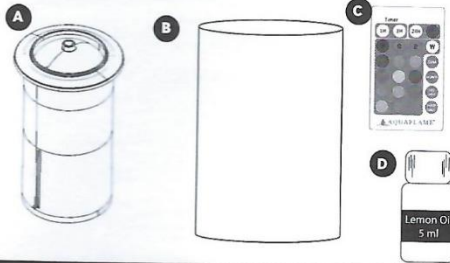
AQUAFLAME®

AquaFlame Citronella Fountain Warnings & Instructions

Save these Warnings & Instructions for future reference.

Product Box Contents:

- A. 1 AquaFlame Core (includes flange and dome)
- B. 1 Decorative Outer Sleeve
- C. 1 AquaFlame Remote (includes battery)
- D. 1 5ml Lemon Essential Oil Bottle



CARE AND SAFETY WARNINGS - PLEASE READ CAREFULLY BEFORE USING:



- Unpack carefully
- Read instructions carefully
- Use with distilled water only
- Scent – only use essential oils specified by manufacturer
- Do not fill with anything not specified by manufacturer
- Do not allow pump to run dry, damage may occur
- Do not drop unit, damage may occur
- Check water level periodically, maintain minimum water level when in use
- Recommended to change water weekly to help maintain a cleaner product
- No more than 10 drops of essential oil should be used in each water cycle
- Remove foreign articles that may accumulate in the fountain
- Water splashing may occur, place product on materials unaffected by water
- Do not place product on surfaces that can be damaged by water or wax
- Do not allow product outside when temperature falls below freezing, damage may occur
- Empty water before temperature falls below freezing
- Do not allow water to freeze in product, damage will occur
- Do not place product in direct sunlight or heat as wax may melt

Battery and Adapter Information:

- Do not mix old and new batteries
- Do not mix alkaline, standard (carbon-zinc) or rechargeable (nickel-cadmium batteries)
- Insert batteries using the correct polarity as shown in diagram on battery case
- Remove batteries and/or adapter when not in use. Recycle or dispose of exhausted batteries according to federal, state and local laws. Do not dispose of batteries in a fire - they may leak or explode
- Remove batteries when optional adapter is being used
- Only use batteries, and/or adapter, specified by the manufacturer
- Use 5V DC 1.5 watt UL-approved adapter only. Optional adapter included DO NOT use other adapters with the fountain not supplied by the manufacturer
- Always use or replace batteries under adult supervision

Lemon Essential Oil Information:

- ⚠ **CAUTION: FLAMMABLE.** If pregnant, suffering from any medical condition, or taking medication, consult your physician before use. May irritate skin. Not intended for topical or internal use. Store closed in a cool, dry location. Keep out of reach of children and pets.

AquaFlame Remote Control Instructions:

• Requires (1) Lithium Coin Battery CR2025 (included):
Remove battery tab before first use.

• Press the "ON/OFF" button or press the remote control "ON/OFF" button to turn AquaFlame on. At this time, the product is in the timekeeping mode (the pump and LED lights are both on) on a 5 hour timer.

• Press the "ON/OFF" button one more time or press the remote control "ON/OFF" button one more time to turn it off.

• Press the remote control "LED ONLY" button. Only the LED light will come on, the pump is not on. To exit to the default state with both the LED light and pump on, press the "LED ONLY" button one more time.

• Press the remote control "PUMP ONLY" button. The LED light will not come on, only the pump is on. To exit to default state with both the LED light and pump on, press the "PUMP ONLY" button one more time.

• To switch to Continuous Use Mode: press the remote control "24H" button (press any key while working in the timekeeping mode to restart the timer). To exit the timer, press the remote control "24H" button.

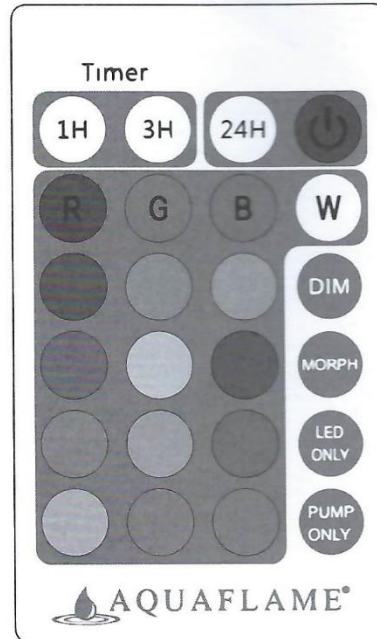
The CONTINUOUS LED indicator lights up in Continuous Use Mode. The CONTINUOUS LED does not illuminate when the product is in the Timekeeping Mode.

• Press the remote control "1H" button to enter the 1 hour timer mode, AquaFlame will blink one time. When the remote control "1H" button is pressed again, the timer will restart.

• Press the remote control "3H" button to enter the 3 hour timer mode, AquaFlame will blink three times. When the remote control "3H" button is pressed again, the timer will restart.

• Press the remote control "DIM" button to enter the dimmable mode. Press the remote control "DIM" button again for 75% LED light. Press the remote control "DIM" button again for 50% LED light. Press the remote control "DIM" button again for 25% LED light. Press the remote control "DIM" button again to exit back to 100% LED light.

• Press the remote control "MORPH" to enter the color changing mode. AquaFlame will begin to cycle through all 16 colors. Press the "MORPH" button again to slow the transition speed. Press the "MORPH" button again for a slower speed. Press the "MORPH" button again for the slowest speed. To exit, press any color button on the remote.



Lemon Oil Instructions for Use:

Place 5-10 drops in your AquaFlame fountain. For aromatic use only, not for human consumption or topical use.

Ingredients: 100% pure lemon oil

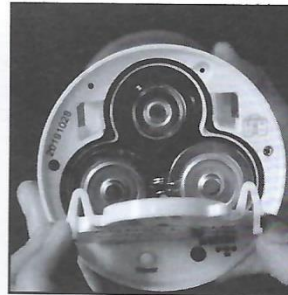
AquaFlame Instructions for Use:



1. Remove AquaFlame from decorative outer sleeve.



2. Open battery case cover by pinching the 2 tabs.



3. Insert 3- D batteries (not included). Follow diagram on battery case for proper orientation.



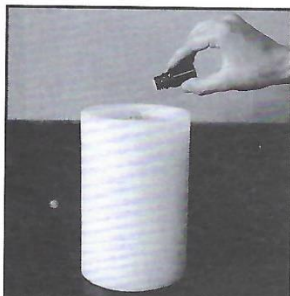
4. Close battery case cover, you will hear 2 clicks when secured.



5. Fill with water only (distilled water is recommended.) For maximum sound, fill to the minimal water line (just enough to cover the LED lights). The more water added, the softer the water sound. Do not overfill past dome.



6. Replace AquaFlame inside the decorative outer sleeve.



7. Add scent with 5-10 drops of essential oil. Essential oil not for human consumption or topical use.



8. Place AquaFlame in desired location.

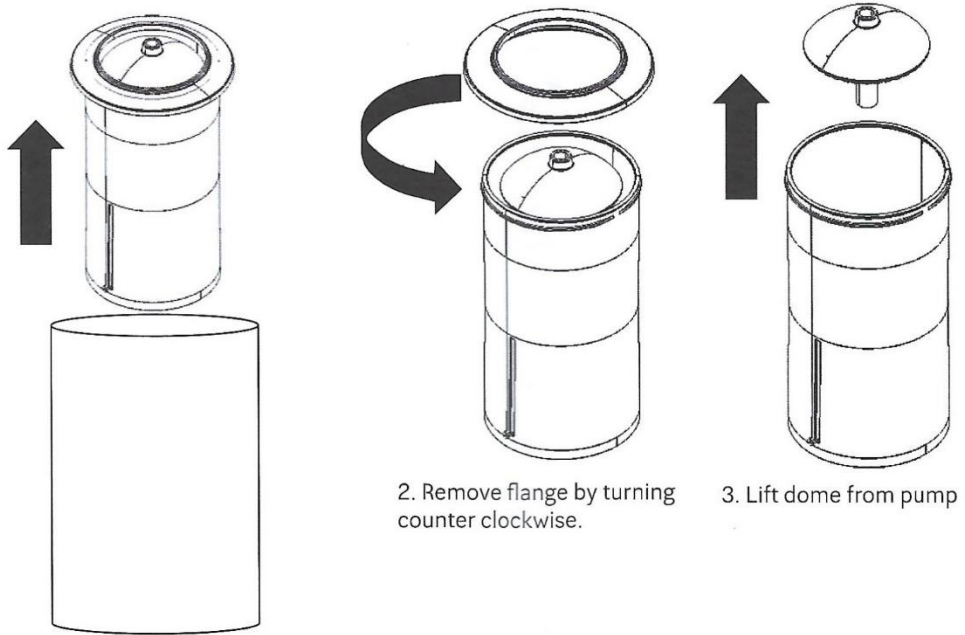
9. To start AquaFlame, press the power button on the bottom of the product or on the remote control.

10. Check water level periodically, as with any water fountain, water evaporates over time.

11. Do not allow the pump to run dry, damage may occur.

12. AquaFlame is a water fountain that can splash water. Do not place product on surfaces or furniture that can be damaged by water. To help prevent water damage, place product on materials unaffected by water. It is recommended to change the water weekly to help maintain a cleaner product.

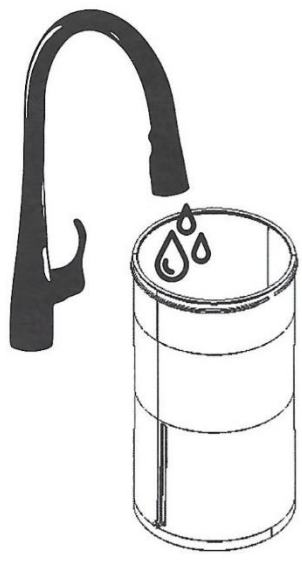
AquaFlame Cleaning Instructions:



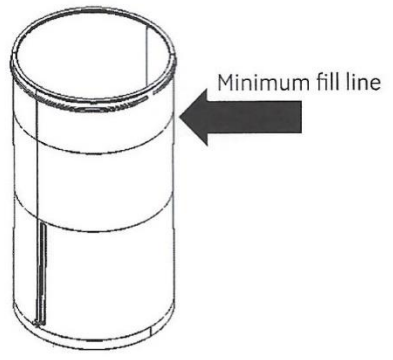
1. Lift AquaFlame core from decorative outer sleeve.

2. Remove flange by turning counter clockwise.

3. Lift dome from pump



4. Rinse with tap water



5. For deep cleaning, use distilled white vinegar, fill to min. fill line. Soak up to 15 minutes, a light brush can also be used.

Storage: For best results, remove water, batteries and store in a cool, dry place.

AquaFlame Technical Data:

Power Requirements: 5 VDC 1.5 watts

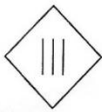
Batteries: 3 "D" batteries



The CE marking certifies that a product has met EU consumer safety, health or environmental requirements.



The WEEE marking is the European Community directive on waste electrical and electronic equipment. Please check with your local authority for recycling advice.



A Class III appliance is designed to be supplied from a separated/safety extra-low voltage (SELV) power source. The voltage from a SELV supply is low enough that under normal conditions a person can safely come into contact with it without risk of electrical shock.



The center positive drawing on the left indicates that the center (also known as the tip) of the output plug is positive (+) and the barrel (ring) of the output plug is negative (-).

Manufactured by:
Shanghai Daisy, LLC
230 Manitoba Ave. S.
Wayzata, MN 55391
(844) 660-3700
Designed in Denver, Colorado
Made in China

Patent www.patio-essentials.com/patents

For more product information, please visit: www.aquaflame.com